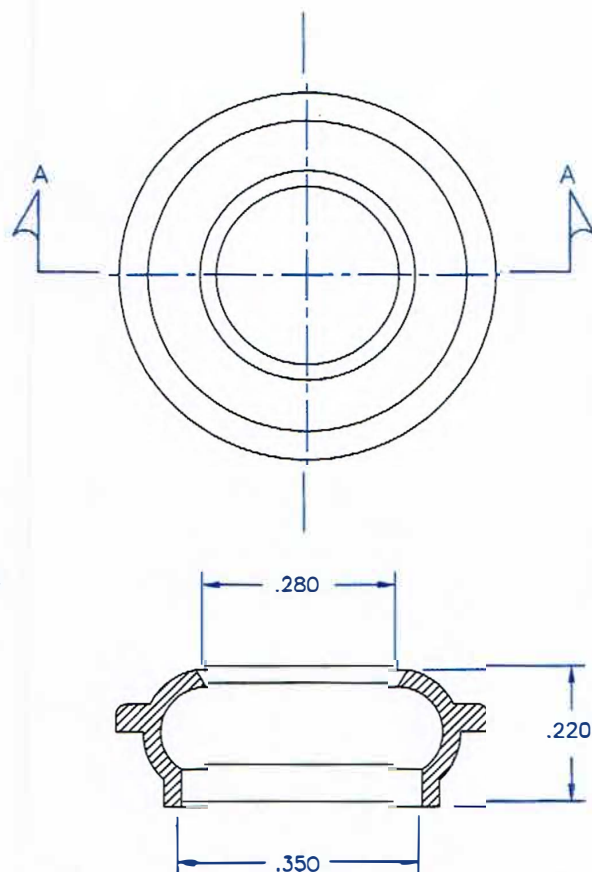
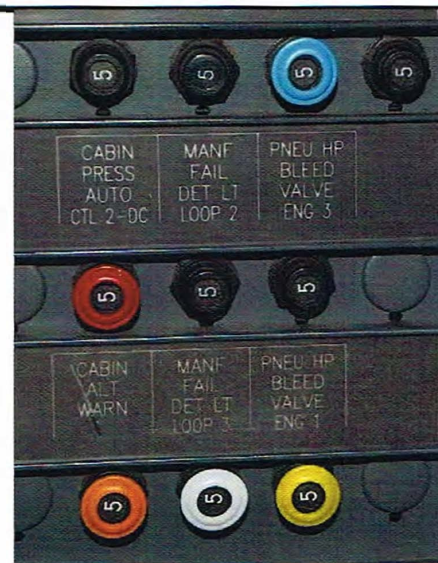


PART NO.	COLOR	MATERIAL
PE7000-1	WHITE	POLYETHYLENE PER PACO SHOP TRAVELER
PE7000-2	ORANGE	
PE7000-3	RED	
PE7000-4	BLUE	
PE7000-5	YELLOW	
PE7000-6	BLACK	
PE7000-7	GRAY	
PE7000-8	GREEN	
PE7000-9		
PE7000-10		



### NOTES

1. CAP IS CAPABLE OF BEING INSTALLED AND REMOVED FREE- HANDED.
2. INSTALLATION OR REMOVAL WILL NOT DAMAGE CIRCUIT BREAKER OR PANEL.
3. COLORED CAPS CAN BE USED TO FLAG DESIGNATED CIRCUIT BREAKERS. (EXAMPLE: FLIGHT CHECK)
4. CAP'S DESIGN PREVENTS VIBRATION ON CIRCUIT BREAKER, AND IMPROVES GRIP WHEN USED.
5. OTHER COLORS MAY BE AVAILABLE ON REQUEST.



8540 DICE ROAD SANTA FE SPRINGS, CA 90670 USA  
PHONE (562)698-0916 WWW.PACOPLASTICS.COM

FAA-STANDARD  
"MAINTENANCE SUPPORT HARDWARE"

CIRCUIT BREAKER  
BUTTON CAP

PE7000-